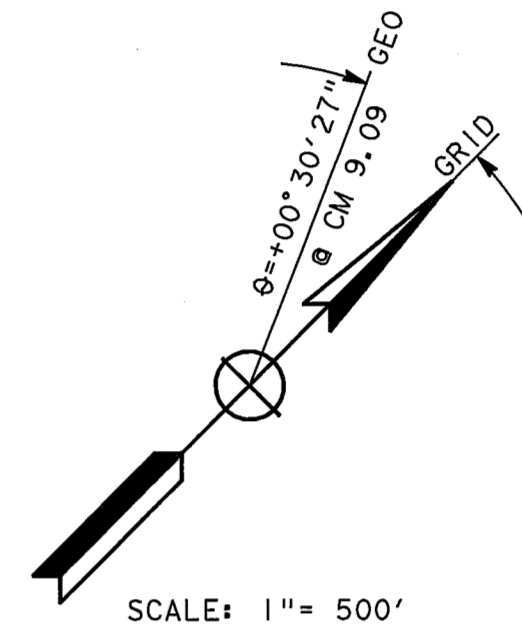
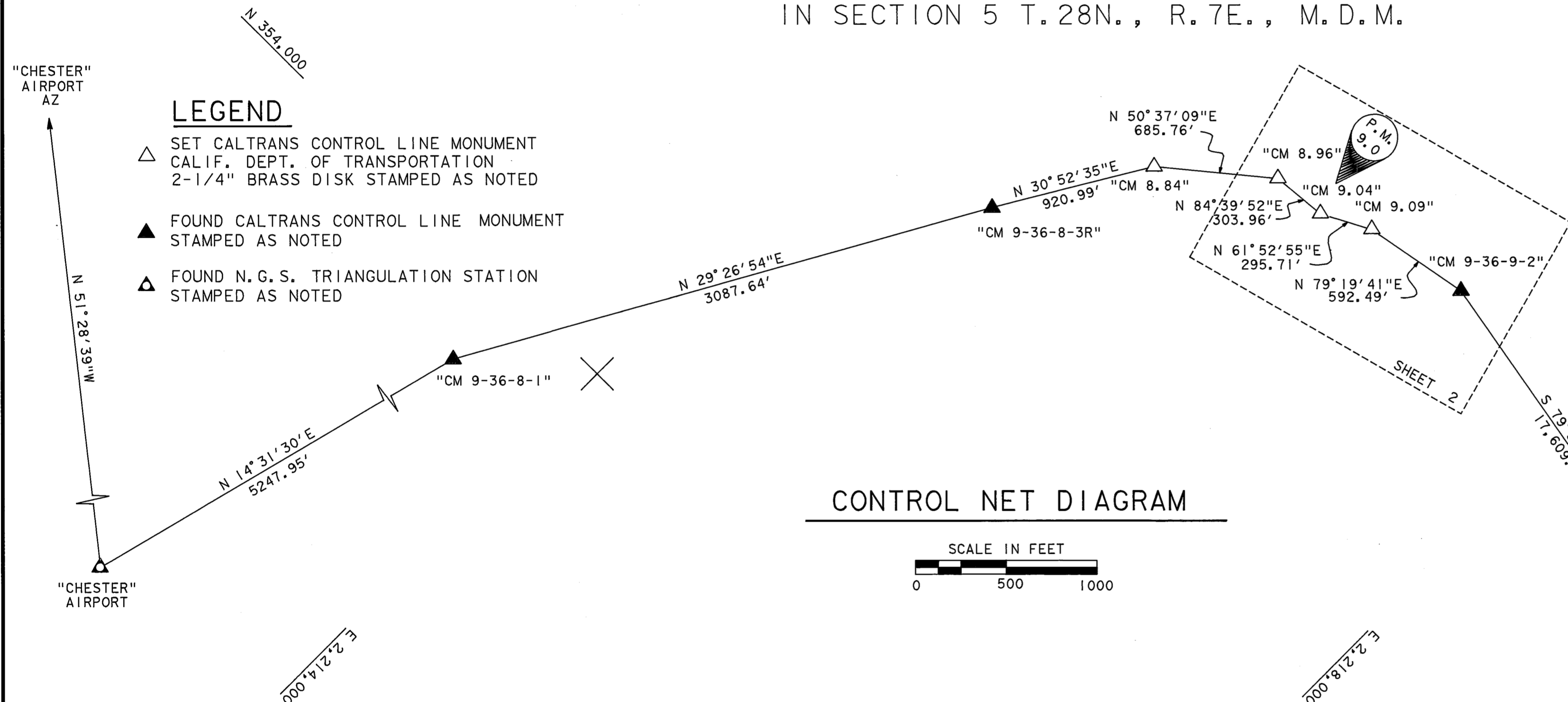
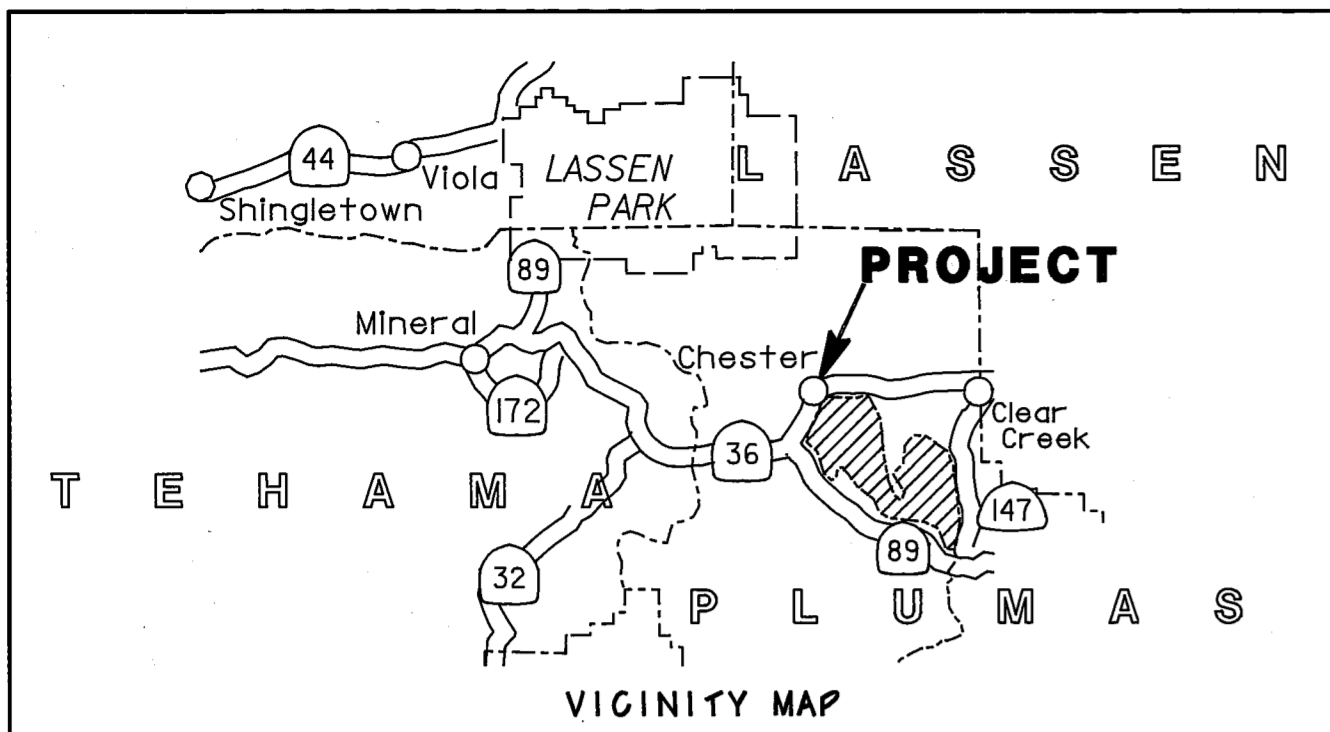


STATE OF CALIFORNIA  
 BUSINESS, TRANSPORTATION, AND HOUSING AGENCY  
 DEPARTMENT OF TRANSPORTATION  
**RECORD OF SURVEY  
 OF MONUMENTATION**  
 IN THE UNINCORPORATED TERRITORY  
 OF PLUMAS COUNTY STATE OF CALIFORNIA  
 ALONG STATE HIGHWAY ROUTE 36  
 IN SECTION 5 T.28N., R.7E., M.D.M.

MONUMENT	COORDINATES	
	NORTH	EAST
"GOULD"	354,609.31	2,234,383.58
"CHESTER AIRPORT"	348,414.47	2,212,062.33
"9-36-8-1"	353,494.682	2,213,378.540
"9-36-8-3R"	356,183.397	2,214,896.543
"CM 8.84"	356,973.859	2,215,369.180
"CM 8.96"	357,408.957	2,215,899.237
"CM 9.04"	357,437.221	2,216,201.879
"CM 9.09"	357,576.587	2,216,462.690
"9-36-9-2"	357,686.309	2,217,044.936

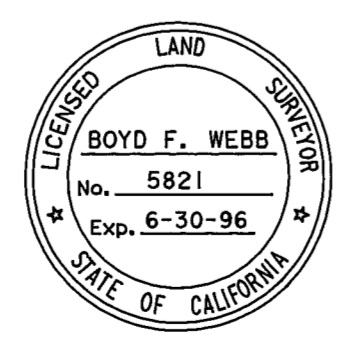


EXCEPTING THOSE SHOWN OTHERWISE, ALL DISTANCES AND BEARINGS ARE GRID, BASED ON THE CALIFORNIA COORDINATE SYSTEM OF 1927, ZONE 1. TO OBTAIN GROUND LEVEL DISTANCES MULTIPLY DISTANCES SHOWN BY 1.0002803.

- LEGEND**
- △ SET CALTRANS CONTROL LINE MONUMENT CALIF. DEPT. OF TRANSPORTATION 2-1/4" BRASS DISK STAMPED AS NOTED
  - ▲ FOUND CALTRANS CONTROL LINE MONUMENT STAMPED AS NOTED
  - △ FOUND N.G.S. TRIANGULATION STATION STAMPED AS NOTED

"CHESTER" AIRPORT AZ  
 N 51°28'39"W  
 N 354,000  
 N 14°31'30"E  
 5247.95'  
 N 29°26'54"E  
 3087.64'  
 N 30°52'35"E  
 920.99'  
 N 50°37'09"E  
 685.76'  
 N 84°39'52"E  
 303.96'  
 N 61°52'55"E  
 295.71'  
 N 79°19'41"E  
 592.49'  
 N 86°16'47"E  
 N 358,000  
 S 79°56'12"E  
 17,609.56'

**SURVEYOR'S STATEMENT**  
 THIS MAP CORRECTLY REPRESENTS A SURVEY MADE BY ME OR UNDER MY DIRECTION IN CONFORMANCE WITH THE REQUIREMENTS OF THE LAND SURVEYORS' ACT AT THE REQUEST OF CALIFORNIA DEPARTMENT OF TRANSPORTATION, IN SEPT.1990, AUG.1991, & SEPT.1995.  
 (SIGNED AND SEALED) Boyd F. Webb  
 L.S. No. 5821  
 LICENSE EXPIRATION DATE 6-30-96



**COUNTY SURVEYOR'S STATEMENT**  
 THIS MAP HAS BEEN EXAMINED IN ACCORDANCE WITH SECTION 8766 OF THE LAND SURVEYORS' ACT THIS 3RD DAY OF OCTOBER, 1995.  
 (SIGNED AND SEALED) R. Tom Hunter  
 R. TOM HUNTER R.C.E. 30515  
 COUNTY SURVEYOR  
 LICENSE EXPIRES 3/31/96



**RECORDER'S STATEMENT**  
 FILED THIS 3RD DAY OF OCTOBER, 1995, AT 1:28 p.m.  
 IN BOOK 10 OF RECORD OF SURVEY AT PAGE 80-82, AT THE REQUEST OF COUNTY SURVEYOR. FILE NO. 6220  
 (SIGNED) JUDITH WELLS  
 COUNTY RECORDER  
 BY (SIGNED) Dee O'Beary  
 DEPUTY COUNTY RECORDER  
 NO FEE: STATE BUSINESS