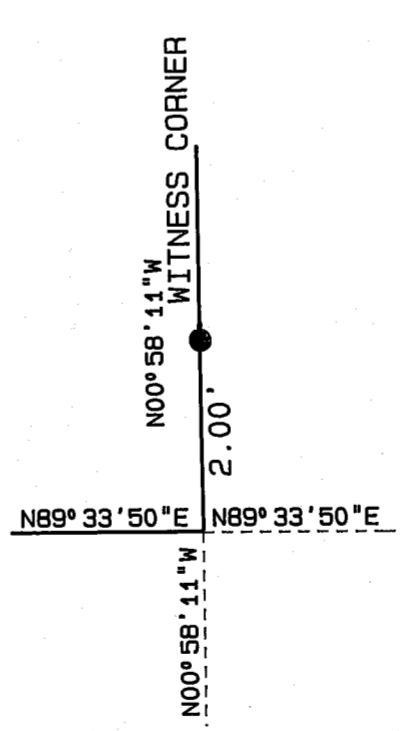
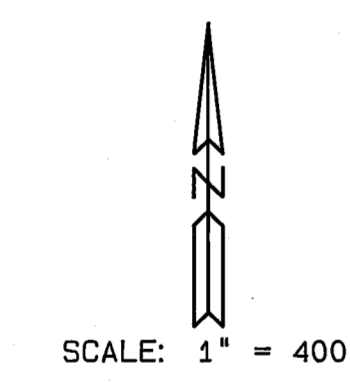
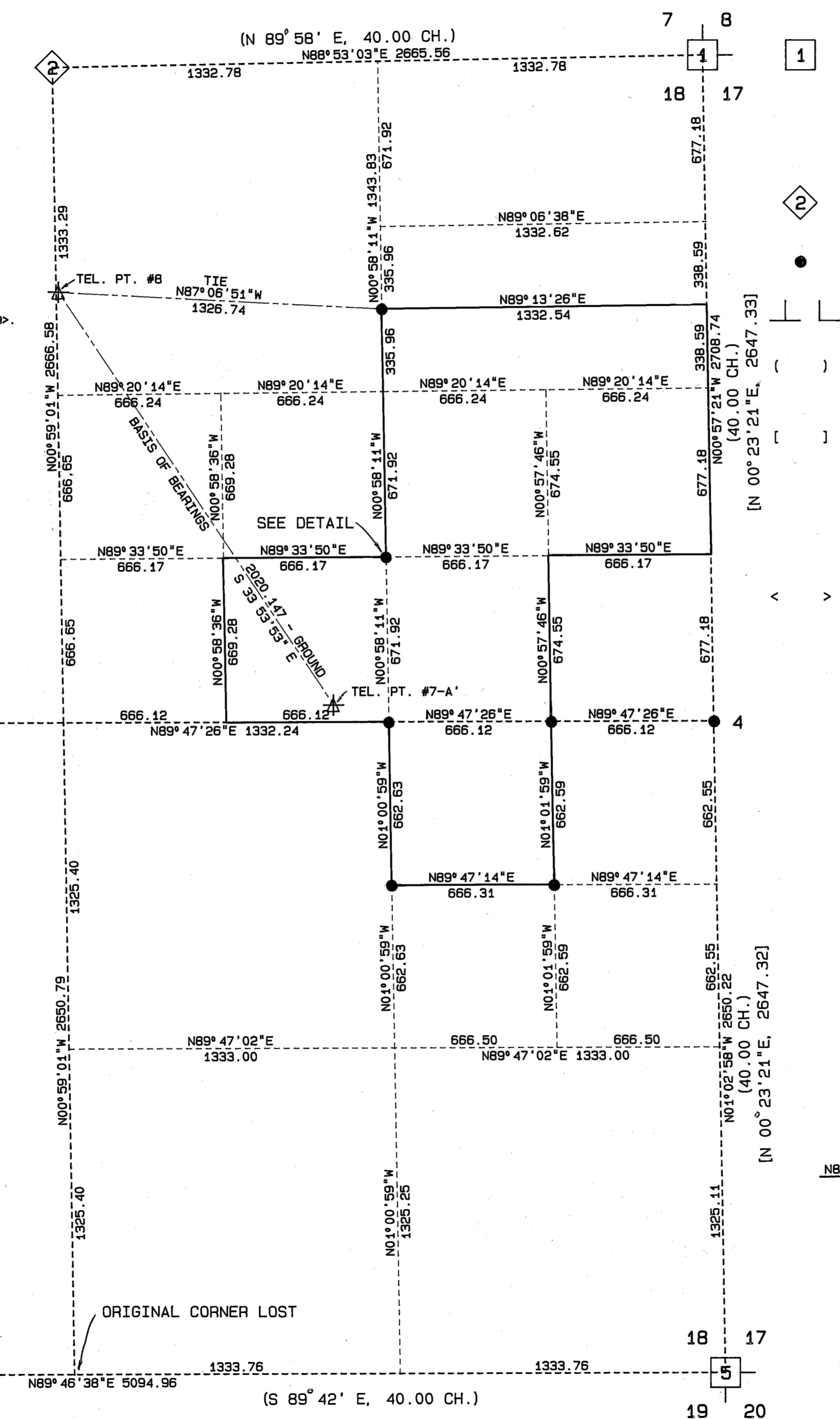


MONUMENT CORNER ACCESSORIES

- 1 FOUND 1 1/2" BRASS CAP STAMPED R.C.E. 13528 ON 1/2" ROD IN ROCK MOUND PER UNRECORDED RECORD OF SURVEY OF THE COUNTY SURVEYOR, DATED JANUARY 1967.
FOUND:
BT: 11" CEDAR WITH HEALED BLAZE AND K-TAG, S 49° W, 18.5' [9" CEDAR S47°32' W, 18.4].
BT: 15" DF WITH HEALED BLAZE AND K-TAG, N 14° E, 12.9' [10" FIR N9°41' E, 12.7].
- 2 FOUND U.S.F.S. 3 1/4" MONUMENT AND 1 1/2" BRASS CAP STAMPED R.C.E. 13528 ON 1/2" ROD ABUTTING U.S.F.S. MONUMENT.
FOUND:
BT: 33" PINE WITH BLAZE, SCRIBING AND K-TAG, S 8° E, 30.6'. <N 8° W, 42 LKS. 1970>.
BT: 12" FIR WITH HEALED BLAZE AND K-TAG, S 44° W, 18.1'. <N 44° E, 27 LKS. 1971>.
BT: 18" PINE WITH BLAZE AND K-TAG, N 12° E, 52.9'. <S 12° W, 77 LKS. 1971>.
- 3 FOUND 1 1/2" BRASS CAP STAMPED R.C.E. 13528 ON 1/2" ROD.
FOUND:
BT: 17" PINE WITH HEALED BLAZE AND K-TAG, S 22° E, 46.8'. <19 1/2" P.P. S 17 1/4" W (E), 71 LKS. OLD BLAZE 1969>.
BT: 6" DF WITH BLAZE, SCRIBING, K-TAG AND BRASS TAG STAMPED L.S. 3966, S 55° E 24.7'.
BT: 14" PINE WITH HEALED BLAZE, SCRIBING AND K-TAG, N 20° E, 87.9'. <18" P.P. S 21 1/2" W, 133 LKS. LARGE BLAZE 1969>.
- 4 FOUND STONE MOUND. SET 5/8" REBAR AND 1 1/2" ALUM. CAP STAMPED R.C.E. 13225.
FOUND:
BT: 18" SNAG WITH OPEN BLAZE AND K-TAG, S 50° W, 19.0'. <N 8° W, 42 LKS. 1970>.
BT: 34" FIR WITH K-TAG N 5° W, 15.0'. <N 44° E, 27 LKS. 1971>.
BT: 24" FIR WITH HEALED BLAZE AND K-TAG N 66° E, 17.6'. <S 12° W, 77 LKS. 1971>.
- 5 FOUND 1 1/2" BRASS CAP STAMPED R.C.E. 13528 ON 1/2" ROD.
FOUND:
BT: 12" FIR WITH HEALED BLAZE AND K-TAG, S 32° W, 13.5'. [10" FIR S 35°30' W, 14.0].
- 6 FOUND U.S.F.S. 3 1/4" MONUMENT.
FOUND:
BT: 9" FIR WITH HEALED BLAZE AND K-TAG, N 14° E, 31.2'. <S 20° W, 47 LKS. 1970>.
BT: 9" FIR WITH HEALED BLAZE AND K-TAG, S 23° E, 12.7'. <N 23 1/2" W, 18.5 LKS. 1970>.
BT: 30" FIR WITH HEALED BLAZE AND K-TAG, S 60° W, 11.9'. <30" D.F. S 57° W, 17.5 LKS. WITH CLOSED BLAZE 1969>.
BT: 15" FIR WITH HEALED BLAZE AND K-TAG, N 37° W, 13.3'. <16 1/2" W.F. N 37° W, 20 LKS. WITH CLOSED BLAZE 1969>.
BT: 9" PINE WITH ALUMINUM PLATE, N 85° E, 15.1'.



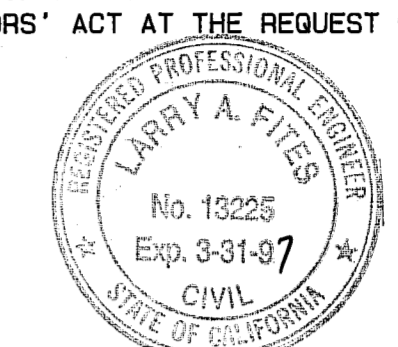
DETAIL SCALE: 1" = 2'

LEGEND

- 1 FOUND MONUMENT PER UNRECORDED RECORD OF SURVEY OF THE COUNTY SURVEYOR, DATED JANUARY 1967, ON FILE AT THE DEPARTMENT OF PUBLIC WORKS.
- 2 FOUND U.S.F.S. 3 1/4" MONUMENT.
- SET 1/2" REBAR WITH ALUM. CAP STAMPED R.C.E. 13225.
- COMPUTED POSITION, NOTHING SET.
- () RECORD DATA PER GLO SURVEY OF JUNE 1871.
- [] RECORD DATA PER UNRECORDED RECORD OF SURVEY OF THE COUNTY SURVEYOR, DATED JANUARY 1967, ON FILE AT THE DEPARTMENT OF PUBLIC WORKS.
- < > RECORD DATA PER U.S.F.S. CORNER RECORD SEARCH AND K-TAG DATA, DATED AS NOTED.

SURVEYOR'S STATEMENT

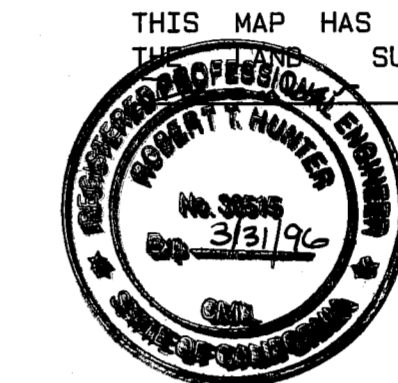
THIS MAP CORRECTLY REPRESENTS A SURVEY MADE BY ME OR UNDER MY DIRECTION IN CONFORMANCE WITH THE REQUIREMENTS OF THE LAND SURVEYORS' ACT AT THE REQUEST OF HALE CHARLTON IN AUGUST 1993.



LARRY A. FITES, R.C.E. 13225
LICENSE EXP. DATE 3-31-97

COUNTY SURVEYOR'S STATEMENT

THIS MAP HAS BEEN EXAMINED IN ACCORDANCE WITH SECTION 8766 OF THE LAND SURVEYORS' ACT THIS 28TH DAY OF DECEMBER, 1993.



R. Tom Hunter
R. TOM HUNTER, R.C.E. 30515
PLUMAS COUNTY SURVEYOR
LICENSE EXP. DATE 3-31-96

COUNTY RECORDER'S STATEMENT

FILED THIS 28TH DAY OF December, 1993, AT 1:58 P.M. IN BOOK 9 OF RECORDS OF SURVEY, AT PAGE 137 AT THE REQUEST OF THE COUNTY SURVEYOR.

JUDITH WELLS
COUNTY RECORDER
BY: *Judith Wells*
DEPUTY

FEE: \$5.00
FILE NO: 10298

NOTES:

1. THIS RECORD OF SURVEY IS FILED TO ESTABLISH THE SUBDIVISION OF SECTION 18 AND LOCATE PROPERTY LINES WITHIN SAID SECTION.
2. A CONTROL GPS STATIC SURVEY NETWORK WAS ESTABLISHED USING STATIC GLOBAL POSITIONING SURVEY TECHNIQUES.
3. THE BASIS OF BEARINGS IS THE LINE BETWEEN CONTROL STATIONS "TEL. PT. #8" AND "TEL. PT. #7-A" AS SHOWN ON THE PLUMAS COUNTY ROAD DEPARTMENT CONTROL DIAGRAM, DATED NOVEMBER 1962, ON FILE AT THE DEPARTMENT OF PUBLIC WORKS, GIVEN AS S 33° 53' 53" E. MEASURED BEARINGS ARE GRID, BASED ON THE CALIFORNIA COORDINATE SYSTEM, ZONE 1. DISTANCES ARE GROUND. MULTIPLY DISTANCES BY 0.9998336 TO OBTAIN GRID DISTANCES. GRID WAS ESTABLISHED FROM COORDINATED POINTS (CCS27) AS SHOWN ON SAID PLUMAS COUNTY ROAD DEPARTMENT CONTROL DIAGRAM AND WHOSE CREDENTIALS ARE BASED UPON PUBLISHED STATIONS OF USC&GS: "TEL. PT. #7-A" N 830426.00 E 2276523.95 "TEL. PT. #8" N 832102.79 E 2275397.28

RECORD OF SURVEY

FOR
HALE CHARLTON
WITHIN SECTION 18
T. 24 N., R. 9 E., M.D.M.
PLUMAS COUNTY, CALIFORNIA

LARRY FITES ENGINEERING
P.O. BOX 20308
GRAEAGLE, CALIFORNIA 96103
R.C.E. 13225

NOVEMBER 1993

SHEET 1 OF 1