

LINE	DIRECTION	DISTANCE
L1	S 89°50'27" W	629.77'
L2	N 88°59'02" E	610.52'
L3	N 89°07'27" E	707.54'
L4	S 89°01'25" W	754.89'
L5	N 89°07'27" E	581.28'
L6	S 89°01'25" W	560.55'
L7	S 88°34'31" W	533.91'

BASIS OF BEARINGS

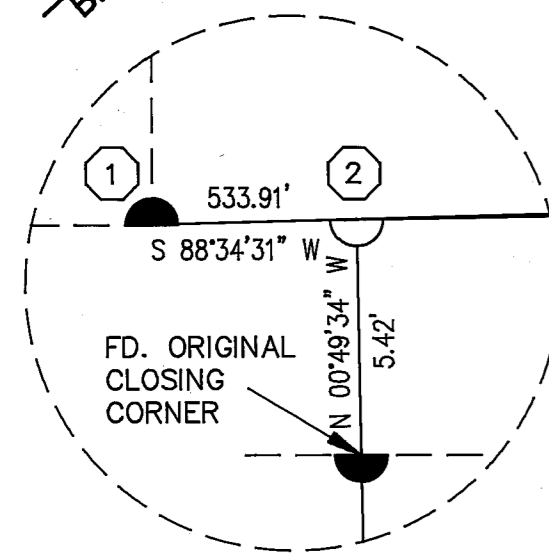
CALIFORNIA ZONE 2 GRID BEARINGS DERIVED FROM G.P.S. OBSERVATIONS. MAPPING ANGLES SHOWN FOR CORNER NUMBERS 13, 16, AND 17. ALL DISTANCES SHOWN AS MEASURED ARE GRID DISTANCES. TO CONVERT TO GROUND, DIVIDE DISTANCES SHOWN BY 0.9997537.

MAPPING ANGLES

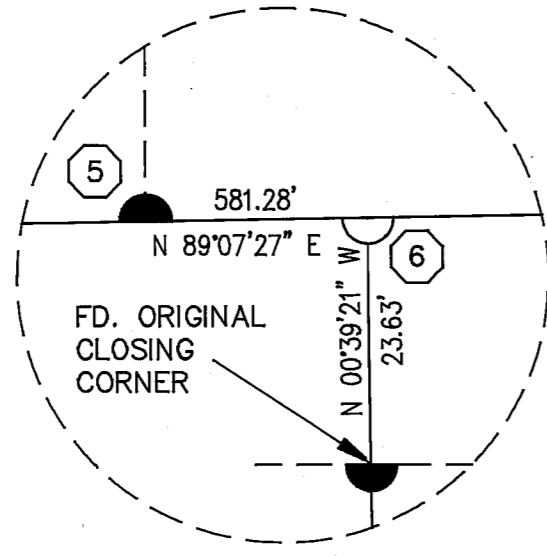
- COR 13 $\theta = 0^{\circ}35'32''$
- COR 16 $\theta = 0^{\circ}36'15''$
- COR 17 $\theta = 0^{\circ}36'58''$

LEGEND

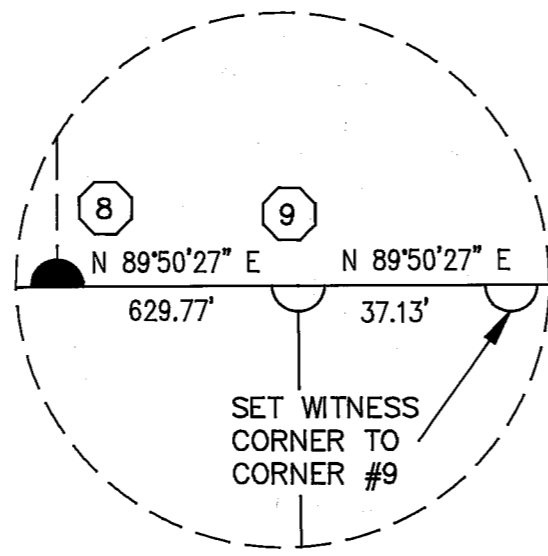
- SET MONUMENT - SEE CORNER NOTES FOR DESCRIPTION
- FOUND MONUMENT - SEE CORNER NOTES FOR DESCRIPTION
- CALCULATED POINT - NOTHING FOUND OR SET
- CORNER NUMBER
- LINES MARKED AND POSTED
- () RECORD PER BLM
- [] RECORD PER GLO
- { } RECORD PER 5 M 33 BUTTE COUNTY RECORDS



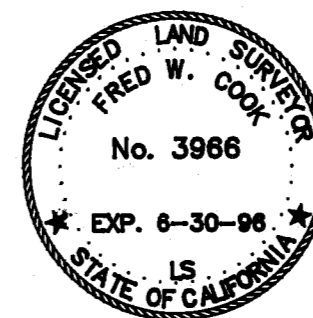
DETAIL A



DETAIL B



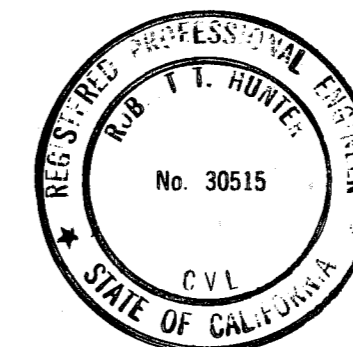
DETAIL C



SURVEYOR'S STATEMENT

THIS MAP CORRECTLY REPRESENTS A SURVEY MADE BY ME OR UNDER MY DIRECTION IN CONFORMANCE WITH THE REQUIREMENTS OF THE LAND SURVEYORS' ACT AT THE REQUEST OF THE USDA FOREST SERVICE IN MAY, 1992

SIGNED *Fred W. Cook*
FRED W. COOK, L.S. 3966



COUNTY SURVEYOR'S STATEMENT

THIS MAP HAS BEEN EXAMINED IN ACCORDANCE WITH SECTION 8766 OF THE LAND SURVEYORS' ACT THIS 24 DAY OF August, 1992

SIGNED *R. Tom Hunter*
PLUMAS COUNTY SURVEYOR
R. TOM HUNTER, R.C.E. 30515
REG. EXP. 3/31/96

COUNTY RECORDER'S STATEMENT

FILED THIS 25 DAY OF August, 1992, AT 1:12 PM, IN BOOK 9 OF RECORD OF SURVEYS AT PAGE 84-86, AT THE REQUEST OF THE PLUMAS COUNTY SURVEYOR.

PLUMAS COUNTY RECORDER
JUDITH WELLS

BY *Julian S. Payne*
DEPUTY

FEE \$ 900
6714

RECORD OF SURVEY

FOR

USDA FOREST SERVICE

"SLATE CREEK"

IN SECTIONS 1, 2, 11, AND 12
T20N R8E MDM

IN THE

UNINCORPORATED AREAS OF YUBA & PLUMAS
COUNTIES, STATE OF CALIFORNIA

DEL TERRA INC.
SURVEYING
P.O. BOX 4632
REDDING, CA 96099
PHONE (916) 241-8050

SCALE: 1" = 1000' DATE: MAY 1992

SHEET: 1 OF 3