

**TITLE EXCLUSIONS & EXCEPTIONS**

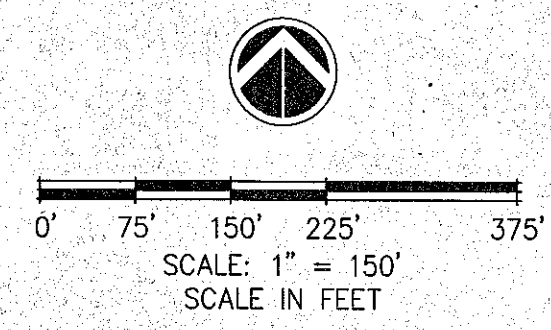
40' ACCESS EASEMENT PER 53/381 OF DEEDS - UNABLE TO DETERMINE EXACT LOCATION. Granted to: CLOVER VALLEY LUMBER COMPANY.

ELECTRIC TRANSMISSION LINE EASEMENT PER 174/947 OF OFFICIAL RECORDS - UNABLE TO DETERMINE EXACT LOCATION. Granted to: PLUMAS-SIERRA RURAL ELECTRIC CO-OPERATIVE, A CORPORATION.

ELECTRIC TRANSMISSION LINE EASEMENT PER 174/964 OF OFFICIAL RECORDS - UNABLE TO DETERMINE EXACT LOCATION. Granted to: PLUMAS-SIERRA RURAL ELECTRIC CO-OPERATIVE, A CORPORATION.

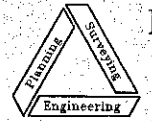
TELECOMMUNICATIONS LINE EASEMENT PER 2013-8848 OF OFFICIAL RECORDS - UNABLE TO DETERMINE EXACT LOCATION. Granted to: SPRINT TELECOMMUNICATIONS COMPANY.

**BASIS OF BEARINGS**  
 BASIS OF BEARINGS IS THE NORTH LINE OF WESTERN PACIFIC RAILROAD MAIN LINE, BEING S82°24'30"E, AS SHOWN ON THAT AMENDED PARCEL MAP RECORDED IN 3 PM 118.



- LEGEND**
- FOUND 1/2" IP TAGGED "LS 3297" per 3 PM 118 EXCEPT AS NOTED
  - FOUND 1/2" IP TAGGED "LS 3297" per 5 PM 99 EXCEPT AS NOTED
  - SET 1/2" REBAR w/ CAP STAMPED LS 4647
  - [ ] INDICATES MEASURED & RECORD per 3 PM 118
  - ( ) INDICATES MEASURED & RECORD per 5 PM 99

TPM 4-15/16-01  
**PARCEL MAP**  
 FOR  
**WILLIAM A. PLANK**  
 AND  
**ELIZABETH F. PLANK**  
 PORTION OF PARCEL 4 of 3 PM 118  
 IN SECTION 26, T.23 N., R.14 E., M.D.B.# M  
 PLUMAS COUNTY, CALIFORNIA

 **NST Engineering, Inc.**  
 1495 Riverside Drive  
 Susanville, CA 96130  
 (530) 257-5173

FEBRUARY 22, 2017      2016-027      SHEET 2 OF 3

13 PM 5